



**Brand: BendPak**

**Model: XPR-10S-168**

**Description: 10,000-lb. Capacity Two-Post Lift / Screw Pad Set /  
Extended Height Symmetric Clearfloor**

### Clearfloor Versatility – Rugged Dependability

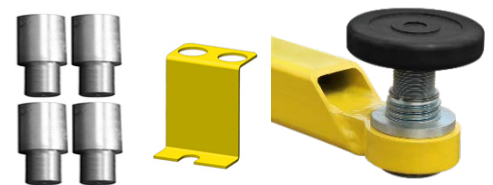
The safe and rugged XPR-10S-168 two-post lift features extended height columns for added overhead clearance and an adjustable top beam to accommodate wide or narrow installation set-ups. The adjustable width design allows you to choose the best setting for your specific space or vehicle lifting requirements. The highly sophisticated yet simple and dependable XPR-Series design requires very little service or maintenance for an overall lower cost of ownership. All BendPak's XPR two-post models feature dual "direct-drive" low-pressure cylinders, maintenance-free UHMW load bearings, single-piece columns, extra-tall lifting carriages and triple-telescoping arm configuration for increase arm positioning versatility.



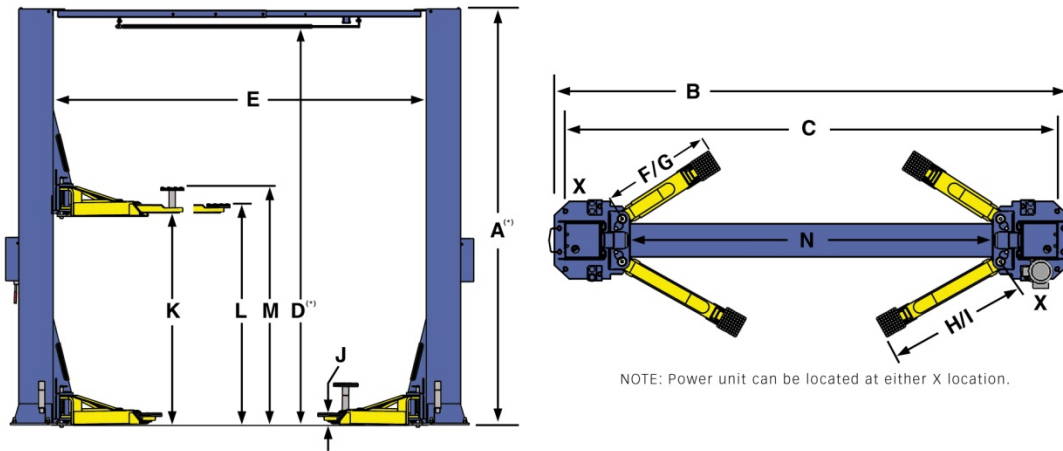
The XPR-10S-168 features double-telescoping screw pads with gouge and tear-resistant polyurethane pads to help increase workplace safety and reduce operating costs. A set of our 63 mm stacking adapters included as standard accessories.

### Features

- 10,000-lb. lifting capacity
- Bolt-on 24" column extensions provide added overhead clearance
- Expandable top beam accommodates wide or narrow configuration
- Padded overhead safety shutoff bar
- Single-piece columns
- Drop-end arms provide a lower pad height
- Dual hydraulic direct-drive cylinders
- Oversized 53" tall carriage for superior strength and durability
- Electric / hydraulic power system
- Large, 17" x 19" A36 steel base plate
- Self-lubricating dura-glide UHMW polyethylene bearing system
- Single-point safety release
- Safety locks in each column spaced every 3"
- Automatic arm restraints
- Heavy-duty 1/2" aircraft-quality equalizer cables
- Oversized cable sheave diameter reduces cable fatigue
- 4-piece 63 mm stackable adapter set comes standard
- Triple-telescoping arms
- Versatile drop-in contact pads with stackable adapters
- ALI Approved



Double-telescoping screw pads and stackable risers



**TWO-POST MODEL / HEAVY-DUTY / EXTENDED HEIGHT SYMMETRIC**

| MODEL  | XPR-10S-168                         |
|--|-------------------------------------|
| Lifting Capacity*                                    | 10,000 lbs. / 4,536 kg              |
| *Max Capacity / Front Axle                           | 5,000 lbs. / 2,268 kg               |
| *Max Capacity / Rear Axle                            | 5,000 lbs. / 2,268 kg               |
| A - Height Overall: (*)                              | 169" / 4293 mm                      |
| B - Width Overall - NARROW CONFIGURATION             | 132" / 3,353 mm                     |
| B - Width Overall - WIDE CONFIGURATION               | 145" / 3,683 mm                     |
| C - Width Outside of Columns: (NARROW CONFIGURATION) | 126-3/4" / 3,225 mm                 |
| C - Width Outside of Columns: (WIDE CONFIGURATION)   | 139-3/4" / 3,555 mm                 |
| D - Floor To Overhead Switch: (*)                    | 165" / 4,191 mm                     |
| E - Inside Columns: (NARROW CONFIGURATION)           | 105.5" / 2680 mm                    |
| E - Inside Columns: (WIDE CONFIGURATION)             | 118.5" / 3010 mm                    |
| F - Reach (Front Arm Min.):                          | 27-1/2" / 698 mm                    |
| G - Reach (Front Arm Max.):                          | 51-1/2" / 1,308 mm                  |
| H - Reach (Rear Arm Min.):                           | 34" / 863 mm                        |
| I - Reach (Rear Arm Max.):                           | 54-1/2" / 1,384 mm                  |
| J - Min. Pad Height:                                 | 4.25" - 6-3/4" / 108 mm             |
| K - Rise:  | 69" / 1,753 mm                      |
| L - Max Lift Height (Pad Only):                      | 73" - 75" / 1,854 - 1,905 mm        |
| M - Max Lift Height (Screw Pad & 63mm Adapter):      | 75.5" - 77.5" / 1,917 mm - 1,968 mm |
| N - Drive-Thru Clearance: (NARROW CONFIGURATION)     | 93" / 2,362 mm                      |
| N - Drive-Thru Clearance: (WIDE CONFIGURATION)       | 106" / 2,692 mm                     |
| Screw Pad Adjustment                                 | 2" / 51 mm.                         |
| Motor (**)   | 220 VAC / 60 Hz / 1 Ph              |
| Time of full Rise:                                   | 45 sec                              |
| Max Load Per Arm:                                    | 2,500 lbs. / 1,134 kg               |

\*Features bolt-on 24" column extensions

\*\* Special Voltages Available Upon Request.

The design, material and specifications are subject to change without notice.