



Brand: BendPak

Model: XPR-10

Description: 10,000-Lb. Capacity Two-Post Lift / Symmetric Clearfloor

Clearfloor Versatility – Rugged Dependability

The safe and rugged XPR-10 two-post lift features an adjustable top beam to accommodate wide or narrow installation set-ups. This unique configurable design allows you to choose the best setting for your specific space or vehicle lifting requirements. The highly sophisticated yet simple and dependable XPR-Series design requires very little service or maintenance for an overall lower cost of ownership. All BendPak's XPR two-post models feature dual "direct-drive" low-pressure cylinders, maintenance-free UHMW load bearings, single-piece columns, extra-tall lifting carriages and triple-telescoping arm configuration for increase arm positioning versatility.

Features

- 10,000-lb lifting capacity
- Expandable top beam accommodates wide or narrow configuration
- Padded overhead safety shutoff bar
- Single-piece columns
- Drop-end arms provide a lower pad height
- Dual hydraulic direct-drive cylinders
- Oversized 53" tall carriage for superior strength and durability
- Electric / hydraulic power system
- Large, 17" x 19" A36 steel base plate
- Self-lubricating dura-glide UHMW polyethylene bearing system
- Single-point safety release
- Safety locks in each column spaced every 3"
- Automatic arm restraints
- Heavy-duty 1/2" aircraft-quality equalizer cables
- Oversized cable sheave diameter reduces cable fatigue
- 8-piece truck and van adapter set standard
- Triple-telescoping arms
- Versatile drop-in contact pads with stackable adapters
- ETL Approved.



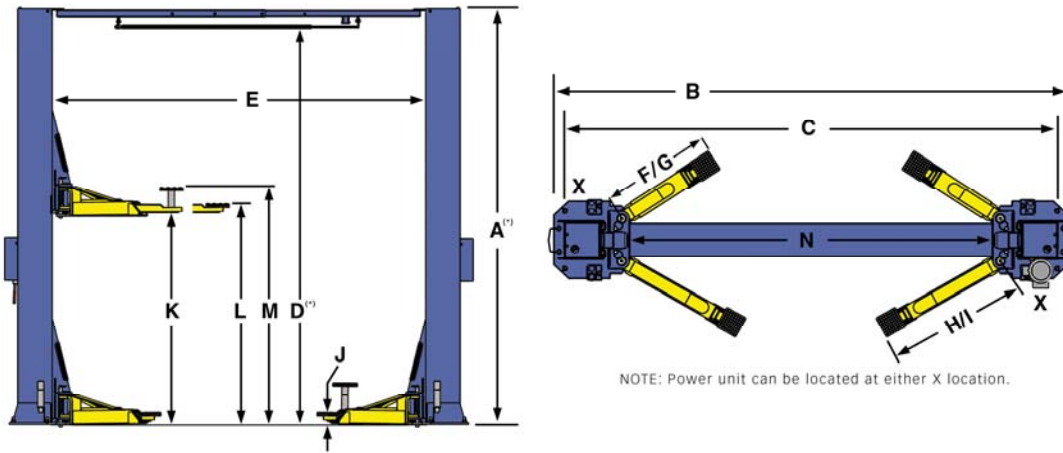
FREE 8-Pc. Truck Adapter Set



Lift arms shown with optional foot guards



FLOORPLAN



TWO-POST MODEL / HEAVY-DUTY / SYMMETRIC

MODEL	XPR-10
Lifting Capacity*	10,000 Lbs. / 4536 Kg.
*Max Capacity / Front Axle	5,000 Lbs. / 2268 Kg.
*Max Capacity / Rear Axle	5,000 Lbs. / 2268 Kg.
A - Height Overall: (*)	145" / 3683 mm.
B - Width Overall - NARROW CONFIGURATION	132" / 3353 mm.
B - Width Overall - WIDE CONFIGURATION	145" / 3683 mm.
C - Width Outside of Columns: (NARROW CONFIGURATION)	126-3/4" / 3225 mm.
C - Width Outside of Columns: (WIDE CONFIGURATION)	139-3/4" / 3555 mm.
D - Floor To Overhead Switch: (*)	141" / 3581 mm.
E - Inside Columns: (NARROW CONFIGURATION)	105" / 3208 mm.
E - Inside Columns: (WIDE CONFIGURATION)	118" / 3538 mm.
F - Reach (Front Arm Min.):	27-1/2" / 698 mm.
G - Reach (Front Arm Max.):	51-1/2" / 1308 mm.
H - Reach (Rear Arm Min.):	34" / 863 mm.
I - Reach (Rear Arm Max.):	54-1/2" / 1384 mm.
J - Min. Pad Height:	4" / 102 mm.
K - Rise:	69" / 1753 mm.
L - Max Lift Height (Pad Only):	73" / 1854 mm.
M - Max Lift Height (6" Adapter):	79" / 2007 mm.
N - Drive-Thru Clearance: (NARROW CONFIGURATION)	93" / 2362 mm.
N - Drive-Thru Clearance: (WIDE CONFIGURATION)	106" / 2692 mm.
Motor (**)	220 VAC / 60 Hz. 1Ph.
Time of full Rise:	45 Seconds
Max Load Per Arm:	2,500 Lbs. / 1134 Kg.

* An optional bolt-on top extension for columns raises the overhead bar an additional 24". Must be ordered from factory at time of order.

** Special Voltages Available Upon Request.

The design, material and specifications are subject to change without notice.